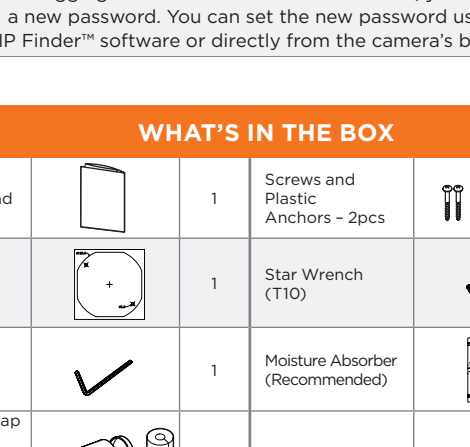


# MEGAPIX Ai™

Next-generation video analytics

DWC-XSTD05Bi - fixed lens  
DWC-XSTD05Mi - vari-focal lens



### Default Login Information: admin | admin

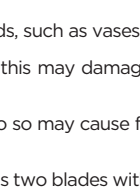
When logging into the camera for the first time, you must setup a new password. You can set the new password using the DW® IP Finder™ software or directly from the camera's browser menu.

### WHAT'S IN THE BOX

Quick Setup and Download Guide		1	Screws and Plastic Anchors - 2pcs		1 set
Mounting Template		1	Star Wrench (T10)		1
Hexagonal wrench 2.0		1	Moisture Absorber (Recommended)		1
Waterproof Cap and Rubber Rings (Black: ø0.15" (ø4mm), White: ø0.19" (ø5mm))		1 set			

**NOTE:** Download all your support materials and tools in one place

- Go to: <http://www.digital-watchdog.com/resources>
- Search your product by entering the part number in the "Search by Product" search bar. Results for applicable part numbers will populate automatically based on the part number you enter.
- Click "Search". All supported materials, including manuals and quick start guide (QSGs) will appear in the results.



**Attention:** This document is intended to serve as a quick reference for the initial set-up. It is recommended that the user read the entire instruction manual for complete and proper installation and usage.

## SAFETY AND WARNING INFORMATION

Read through this Installation Guide carefully before installing the product. Keep the Installation Guide for future reference. See the user manual for more information on the proper installation, use and care of the product. These instructions are intended to ensure that users can use the product correctly to avoid danger or property loss. Warnings: Serious injury or death may occur if any of the warnings are neglected. Cautions: Injury or equipment damage may occur if any of the cautions are neglected.

- WARNING:**
- In the use of the product, you must be strict compliance with the electrical safety regulations of the nation and region. When the product is mounted on a wall or ceiling, the device shall be firmly fixed.
  - Be sure to use only the standard adapter specified in the specification sheet. Using any other adapter could cause fire, electrical shock, or damage to the product.
  - Make sure the power supply voltage is correct before using the camera.
  - Incorrectly connecting the power supply or replacing the battery may cause an explosion, fire, electric shock, or damage to the product.
  - Do not connect multiple cameras to a single adapter. Exceeding the capacity may cause excessive heat generation or fire.
  - Securely plug the power cord into the power source. An insecure connection may cause a fire.
  - When installing the camera, fasten it securely and firmly. A falling camera may cause personal injury.
  - Do not install in a location subject to elevated temperature, low temperature, or high humidity. Doing so may cause fire or electric shock.
  - Do not place conductive objects (e.g. screwdrivers, coins, metal items, etc.) or containers filled with water on top of the camera. Doing so may cause personal injury due to fire, electric shock, or falling objects.
  - Do not install in a location subject to elevated temperature, low temperature, or high humidity. Doing so may cause fire or electric shock.
  - Do not connect multiple cameras to a single adapter. Exceeding the capacity may cause excessive heat generation or fire.
  - Keep out of direct sunlight and heat radiation sources. It may cause a fire.
  - If any unusual smells or smoke come from the unit, stop using the product at once. Immediately disconnect the power source and contact the service center. Continued use in such a condition may cause fire or electric shock.
  - Do not touch the camera's lens or sensor module with fingers. If cleaning is necessary, please use a clean cloth to wipe it gently. If the device will not be used for a long time, please cover the lens cap to protect the device from dirt.
  - Do not install near any heat sources such as radiators, heat registers, or other products (including amplifiers) that produce heat.
  - When cleaning the product, do not spray water directly onto parts of the product. Doing so may cause fire or electric shock.

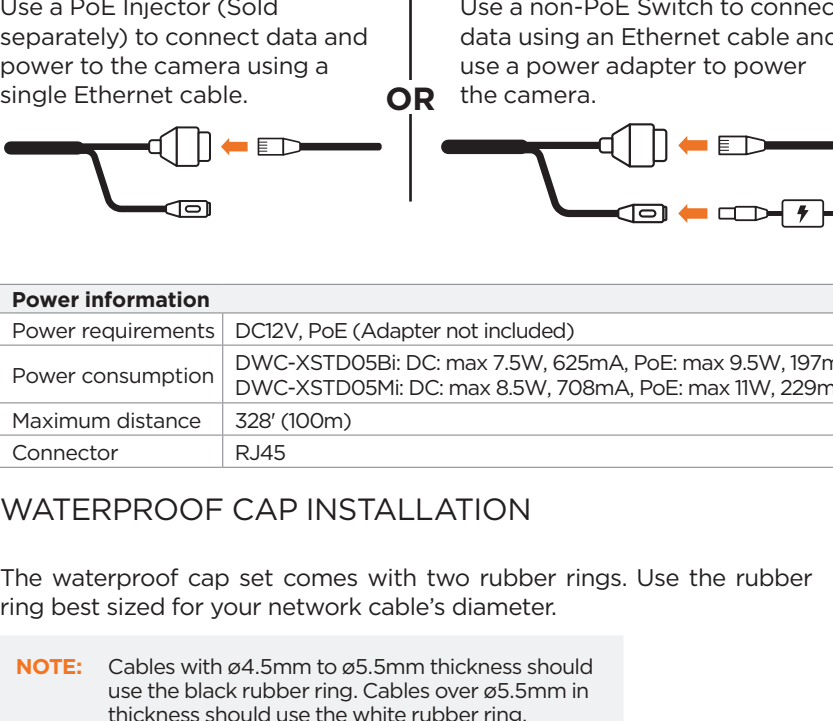
### CAUTION

- Use proper safety gear when installing and wiring the product.
- Do not drop objects on the product or apply strong shock to it. Keep away from a location subject to excessive vibration or magnetic interference.
- Do not use this product near water.
- The product shall not be exposed to dripping or splashing and no objects filled with liquids, such as vases, shall be placed on the product.
- Avoid aiming the camera directly towards extremely bright objects such as the sun, as this may damage the image sensor.
- The Main plug is used as a disconnect device and shall stay readily operable at any time.
- If any laser equipment is used near the product, make sure the surface of the sensor is not exposed to the laser beam as that may damage the sensor module.
- Do not block any ventilation openings. Install following the manufacturer's instructions.
- A polarized or grounding-type plug is recommended for this product. A polarized plug has two blades with one wider than the other. A grounding-type plug has two blades and a third grounding prong. If the provided plug does not fit into your outlet, consult an electrician for replacement.
- Protect the power cord from being walked on or pinched particularly at plugs, convenience receptacles, and the point where they exit from the product.
- If any laser equipment is used near the product, make sure the surface of the sensor is not exposed to the laser beam as that may damage the sensor module.
- If you want to move the already installed product, be sure to turn off the power and then move or reinstall it.
- Proper configuration of all passwords and other security settings is the responsibility of the installer and/or end-user.
- When cleaning the product, do not spray water directly onto parts of the product. Doing so may cause fire or electric shock.
- If cleaning is necessary, please use a clean cloth to wipe it gently. If the device will not be used for a long time, please cover the lens cap to protect the device from dirt.
- When installing the camera, fasten it securely and firmly. A falling camera may cause personal injury.
- Do not touch the camera's lens or sensor module with fingers. If cleaning is necessary, please use a clean cloth to wipe it gently. If the device will not be used for a long time, please cover the lens cap to protect the device from dirt.
- Use only attachments/accessories specified by the manufacturer.
- Always use hardware (e.g. screws, anchors, bolts, locking nuts, etc.) compatible with the mounting surface and of sufficient length and construction to ensure a secure mount.
- Use only with cart, stand, tripod, bracket, or table specified by the manufacturer, or sold with the product.
- Unplug this product when a cart is used. Use caution when moving the cart/product combination to avoid injury from tip-over.
- Refer all servicing to qualified service personnel. Servicing is needed when the product has been damaged in any way, such as power supply cord or plug is damaged, liquid has been spilled or objects have fallen into the product, the product has been exposed to rain or moisture, does not operate normally, or has been dropped.

## STEP 1 – PREPARING TO MOUNT THE CAMERA

- Install the Dessicant Pack (moisture absorber):

- Remove the Dessicant Pack from its shipping packaging. Fold the moisture absorber pack diagonally along the dotted line, as shown in the diagram below.
- Open the camera's control panel on the side of the camera using the star wrench included with the camera.
- Remove the Dessicant Pack used for shipping and place the new Dessicant Pack in the location shown in the illustration below.
- Close the camera control panel tightly. When closing the control panel, ensure no cables are caught or disconnected.



**NOTE:** The camera will generate enough heat to dry moisture during normal operation. In cases where the camera experiences a moisture issue, keep the moisture absorber in the camera.

**WARNING:** Install the moisture absorber when mounting the camera to prevent performance issues and damage to the camera.

- Mark and drill the necessary holes in the wall or ceiling using the mounting template sheet or the camera itself.

## STEP 2 – POWERING THE CAMERA

Pass the wires through and make all necessary connections.

Use a PoE Injector (Sold separately) to connect data and power to the camera using a single Ethernet cable.

OR

Use a non-PoE Switch to connect data using an Ethernet cable and use a power adapter to power the camera.



Power Information	
Power requirements	DC12V, PoE (Adapter not included)
Power consumption	DWC-XSTD05Bi: DC: max 7.5W, 625mA, PoE: max 9.5W, 197mA DWC-XSTD05Mi: DC: max 8.5W, 708mA, PoE: max 11W, 229mA
Maximum distance	328' (100m)
Connector	RJ45

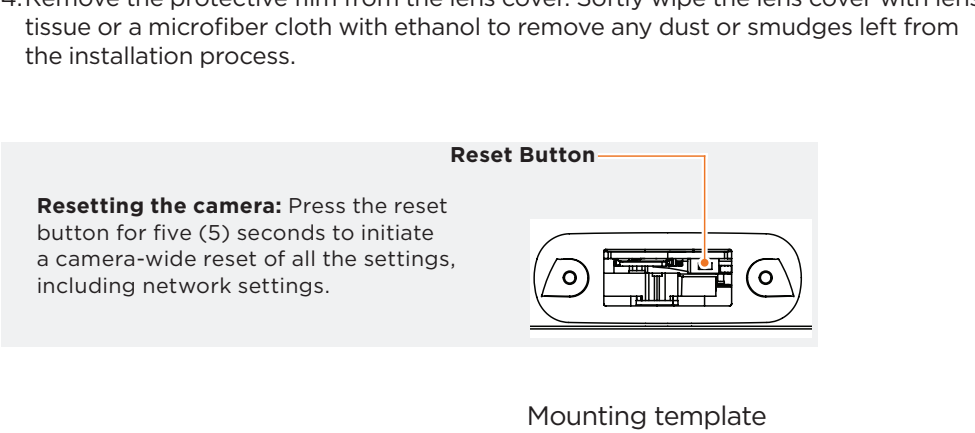
## WATERPROOF CAP INSTALLATION

The waterproof cap set comes with two rubber rings. Use the rubber ring best sized for your network cable's diameter.

**NOTE:** Cables with ø4.5mm to ø5.5mm thickness should use the black rubber ring. Cables over ø5.5mm in thickness should use the white rubber ring.

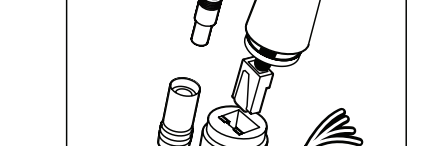
**NOTE:** Make sure the o-ring is in place between and to prevent moisture damage. In extreme environments, use an outdoor-rated electrical tape.

**NOTE:** Unused cables should be sealed with electric tape.

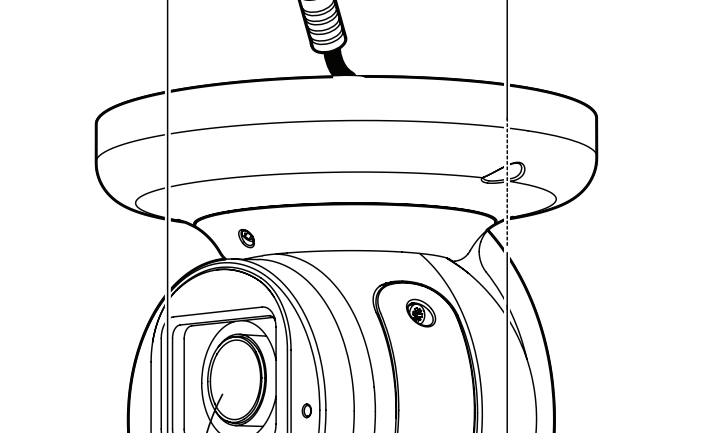


## STEP 3 – INSTALLING THE CAMERA

- Secure the camera to the mounting surface using the included screws.
- Use the rubber plug on the side of the camera as a cable guide to prevent cables from getting caught between the camera and the mounting surface.



- Adjust the camera's view and position by loosening the rotation screws using the hexagonal wrench.



**NOTE:** When setting up the DWC-XSTD05Mi camera for the first time, use the CALIBRATE button on the camera's web GUI to calibrate the camera's lens before operation.

- Remove the protective film from the lens cover. Softly wipe the lens cover with lens tissue or a microfiber cloth with ethanol to remove any dust or smudges left from the installation process.

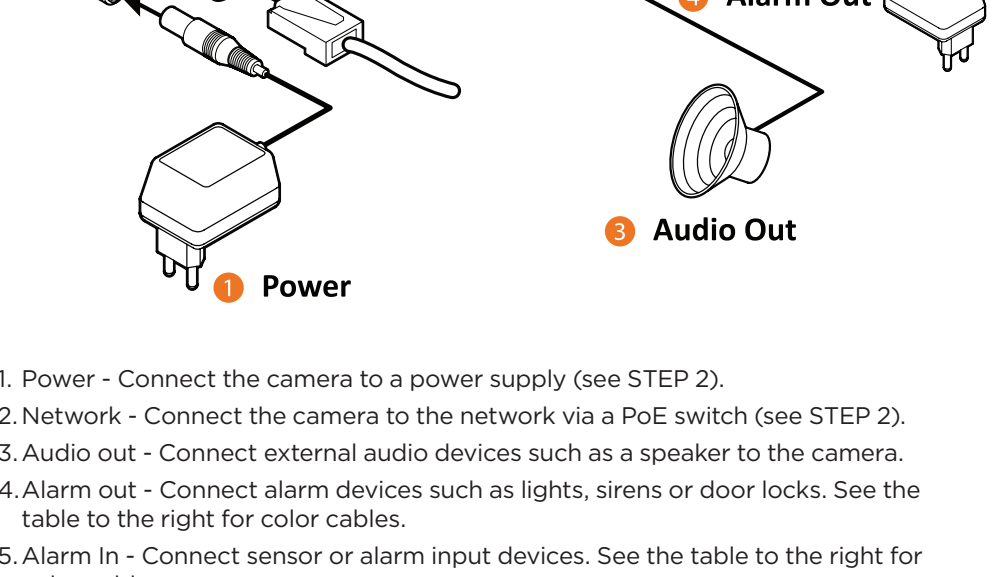
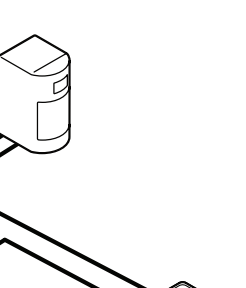
**Reset Button**

**Resetting the camera:** Press the reset button for five (5) seconds to initiate a camera-wide reset of all the settings, including network settings.



## STEP 4 – CABLING

DI (+)	WHITE
DI (-)	YELLOW
DO (-)	SKY BLUE
DO (+)	GRAY + DOT

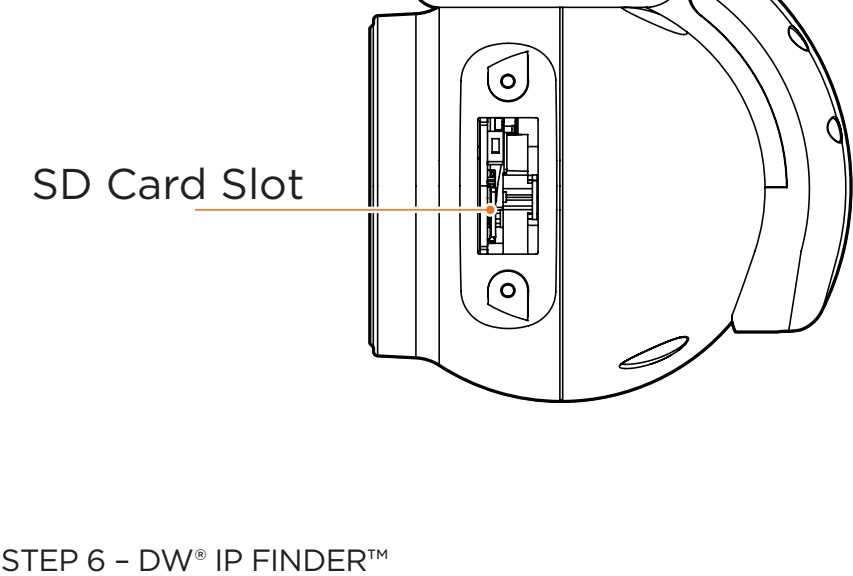


- Power - Connect the camera to a power supply (see STEP 2).
- Network - Connect the camera to the network via a PoE switch (see STEP 2).
- Audio out - Connect external audio devices such as a speaker to the camera.
- Alarm out - Connect alarm devices such as lights, sirens or door locks. See the table to the right for color cables.
- Alarm In - Connect sensor or alarm input devices. See the table to the right for color cables.

## STEP 5 – MANAGING THE SD CARD (OPTIONAL)

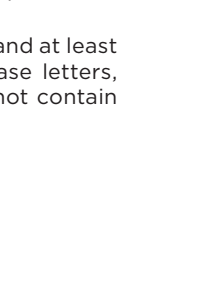
- Open the camera's control panel on the side of the camera using the star wrench included with the camera.
- Insert class 10 SD/SDHC/SDXC card into the SD card slot by pressing the SD card until it clicks.
- Press the card inward until it clicks to release from the card slot, then remove the card.

**NOTE:** Maximum SD Card size supported: Up to 1TB micro SD / FAT32. When inserting the SD card into the card slot, the SD card's contacts should be facing upward, as shown in the diagram.



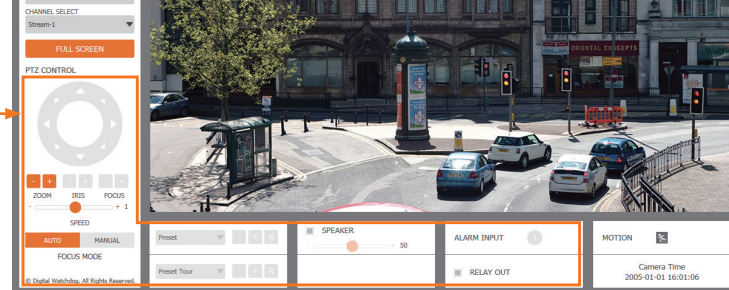
## STEP 6 – DW® IP FINDER™

- Download and install the DW IP Finder from the DW website at: <http://www.digital-watchdog.com>
- Open the DW IP Finder and click "Scan Devices" to find the camera on the network.
- A password must be set when connecting to the camera for the first time.



- Click the box next to the camera.
- Click "Bulk Password Assign" on the left.
- Enter admin/admin for the current username and password. Enter a new username and password to the right. Password must have at least eight (8) characters and at least four (4) combinations of uppercase and lowercase letters, numbers and special characters. Passwords cannot contain the user ID.
- Click "change" to apply all changes.

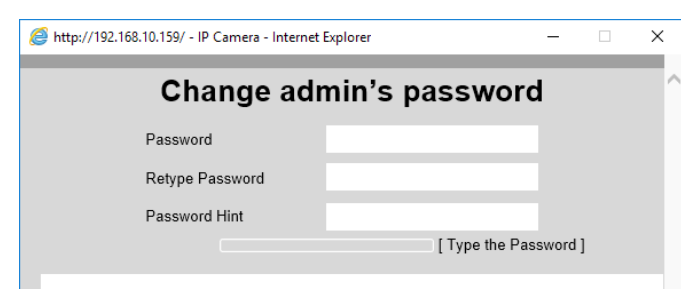
## STEP 7 – WEB VIEWER



The GUI display may differ by camera models.

- Find the camera using the DW IP Finder.
- Double-click on the camera's name in the results table.
- Press the "View Camera Website".
- Enter the camera's username and password you setup in the DW IP Finder.

If you did not setup a new username and password, a message will direct you to setup a new password for the camera to view the video.



**NOTE:** Please see the full product manual for web viewer setup, functions and camera settings options.

**NOTE:** This products is covered by one or more claims of the HEVC Patents listed at [patentlist.advance.com](http://patentlist.advance.com).

